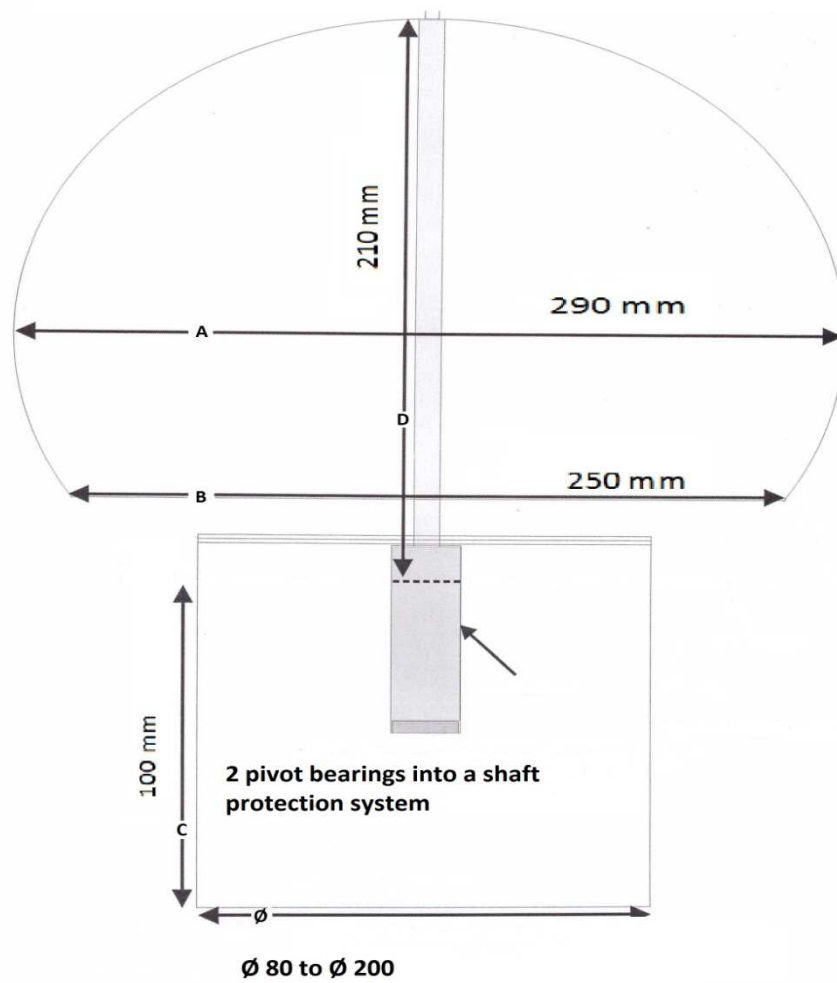


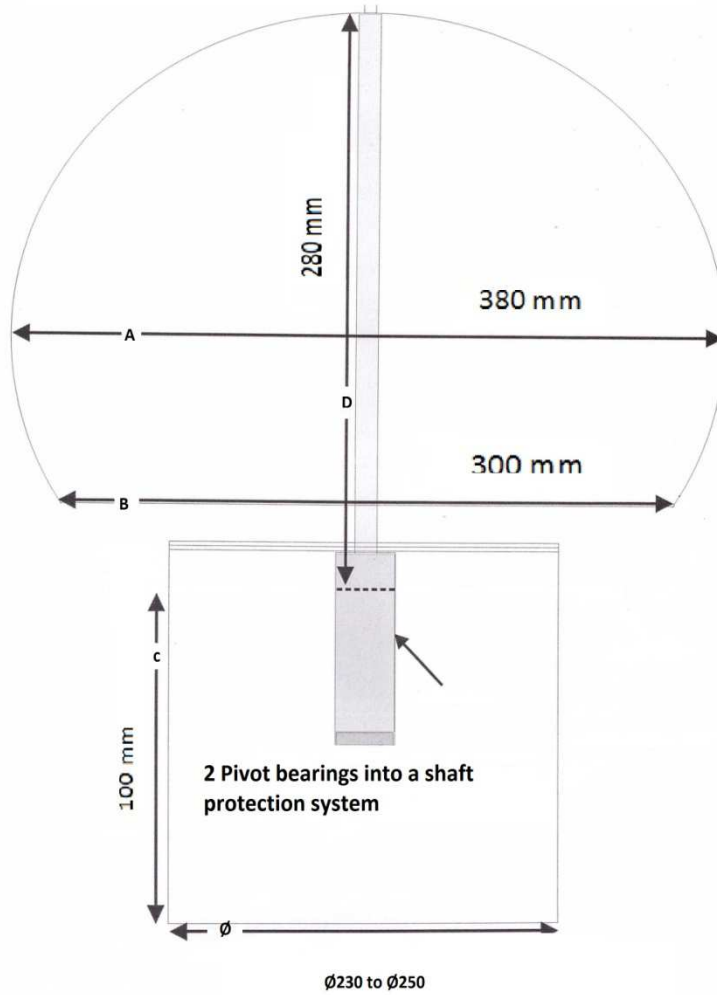


Spinner chimney cowl Dimensions $\varnothing 80$ - $\varnothing 200$



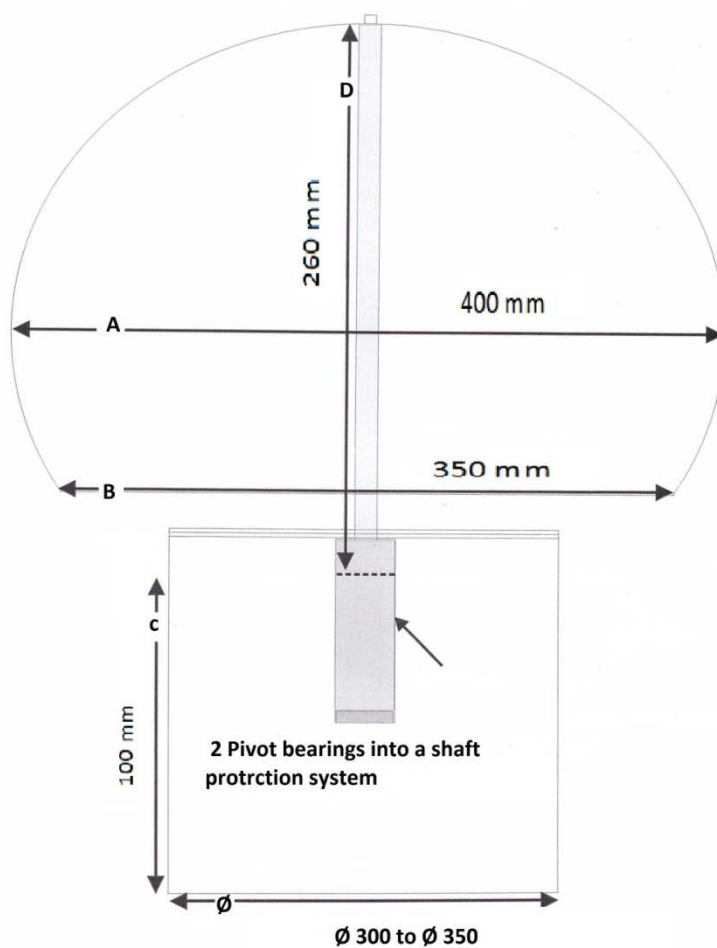
CE

Spinner chimney cowl Dimensions $\varnothing 230\text{-}\varnothing 250$



CE

Spinner chimney cowl $\varnothing 300\text{-}\varnothing 350$



Dimensions

| KAMINAS-Spinner chimney cowl \varnothing | A | B | C | D |
|--|-------|-------|-------|-------|
| $\varnothing 80 - \varnothing 200$ | 290mm | 250mm | 100mm | 210mm |
| $\varnothing 230 - \varnothing 250$ | 380mm | 300mm | 100mm | 280mm |
| $\varnothing 300 - \varnothing 350$ | 400mm | 350mm | 100mm | 260mm |

Laboratory measurements of the efficiency of the spinner cowl (Ø 200mm, Ø250mm, Ø 300mm)

Wind speed 1m/s = 3.6km/h

